



Application:

The digital panel meters RISH DPM 72 X 144 1 PH. 4½ ACI/ACV have been designed for industrial applications, which frequently require precise and on-site adjustment of the display range.

It can be used in industrial automation and for laboratory uses.

Features:

- AC Current ranges and AC Voltage ranges available.
- 4 ½ Digit ultra bright Display with 26mm digit height.
- User defined caption.
- Various auxillary power supply ranges are available.
- Maximum Display Count : 19999.
- Resolution : 0.0001 to 1 count depending on the range.
- Highly adaptable DPMs suitable for a wide range of measuring applications.
- Instrument for DC Voltage measurement available in 4 ½ Digit Digit DPM.
- The chosen input range is user adjustable, from 10% to 100% of the full-scale value for AC Current and AC Voltage, for simple Voltage, for simple adaptation of the digital readout to the input value.

Technical Specifications:

Display:

Display range	: 19999
Decimal point position	: Selectable by short links at the rear side of display.
Digit height	: 26mm / 7 - segment digits.
Overload indication	: Last 4 digits blank. (1)

Measuring ranges:

[Max. Overload 20% of full-scale range value]

Model	RISH DPM 72 X 144 1 PH. 4½ ACI
AC Current Ranges Available (Voltage drop < 600 mV/phase)	0...1A [45...65 Hz] or 0...1A [400 Hz] or 0...5A [45...65 Hz] or 0...5A [400 Hz]

Model	RISH DPM 72 X 144 1 PH. 4½ ACV
Voltage Ranges Available (Input current < 600 µA / Phase)	0...110 V [45...65 Hz] or 0...110 V [400 Hz] or 0...240 V [45...65 Hz] or 0...240 V [400 Hz] or 0...500 V [45...65 Hz] or 0...500 V [400 Hz]

Accuracy

RISH DPM 72 x 144 1 PH. 4½ ACI :

Measuring Accuracy Current (Voltage drop < 600 mV)	: < 1% of range ±1 digit (Optional: 0.5% of range ±1 digit)
Temperature coefficient	: 300 ppm / °C.
Zero point drift	: 200 ppm / °C.
Range adjustment span	: from 10% to 100% of range.

Description:

RISH DPM 72 X 144 1PH. 4½ ACI/ACV :

DPM 72X144 4½ ACI	1 PH. AC current measurement
DPM 72X144 4½ ACV	1 PH. AC voltage measurement

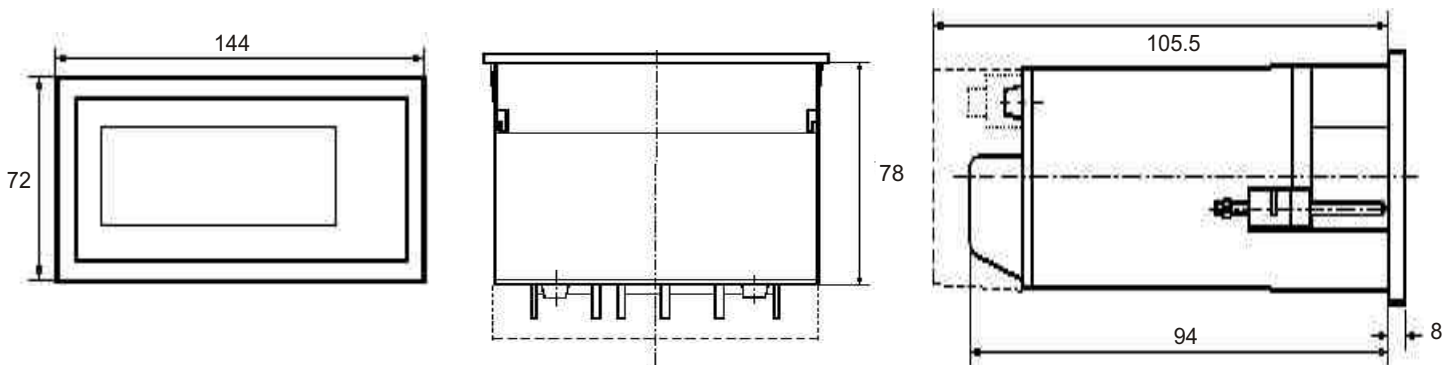
Applicable Regulations and Standards

Protection Class	IP 20 to IEC EN 60 529
Front	IP 50
Device safety	IEC EN 61 010
EMC immunity	IEC/ EN 61 000-4-1 to 4
EMC radiated interference	IEC/ EN 61326 Class B

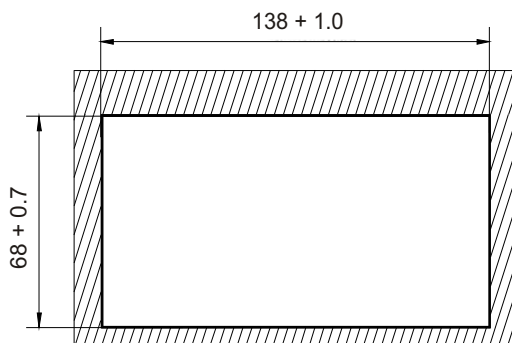
RISH DPM 72 X 144 1 PH. 4½ ACV :

Measuring Accuracy Volts (Input current < 600uA)	: < 1% of range ±1 digit (Optional: 0.5% of range ±1 digit)
Temperature coefficient	: 300 ppm / °C.
Zero point drift	: 200 ppm / °C.
Range adjustment span	: from 10% to 100% of range.
Power supply	5 ranges for power supply are available.
Direct voltage DC	: 24 V DC (+/- 15%) / 110 V DC (+ 10% / -15%) / 220 V DC (+10 % / -15%)
VA Burden	: 5.5W approx. (Isolated)
Alternating voltage AC	: 110 V AC (+ 10% / -15%) / 230 V AC (+10 % / -15%)
VA Burden	: 5.5VA approx. (Isolated)
Frequency	: 47- 60 Hz.
Environmental conditions	Climatic class : Class 2 to VDE / DIN 3540.
Operating temperature	: 0 ... 55 °C.
Storage temperature	: -25 °C ... +65 °C.
Safety class	: II to IEC 348 / VDE 0411.
IP Protection	: IEC EN 60 529. For Back : IP 20. Front : IP 50 (IP 54 on request)
Device safety	: According to IEC EN 61 010.
High Voltage Test	: For AC Aux. : 2 kV AC, 50 Hz for 1 minute. For DC Aux. : 1 kV AC, 50 Hz for 1 minute.
EMC immunity	: According to IEC / EN 61 000-4-1 up to 4.
EMC radiated interference	: According to IEC / EN 61326 class B.
Dimensions and Weights	Bezel size : 72 mm x 144 mm DIN 43 700
	Panel cut-out : 68 +0.7 mm x 138 + 1.0 mm
	Overall depth : 94 mm.
	Weight : 500 gm. Approx.
Sundry	Connections : Plug-in screw terminal blocks.

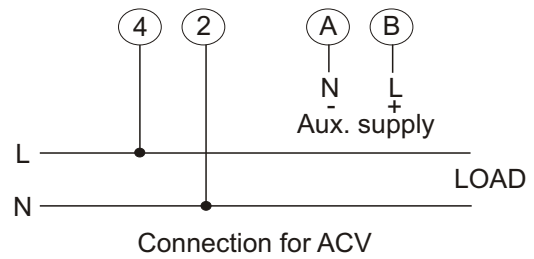
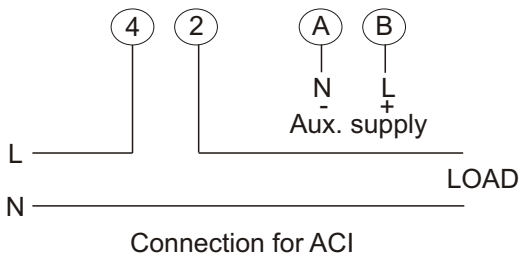
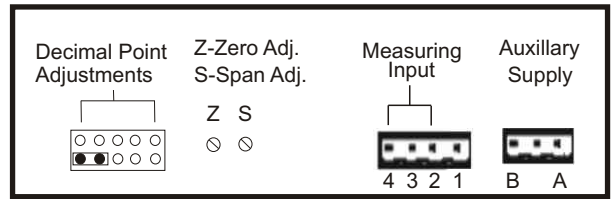
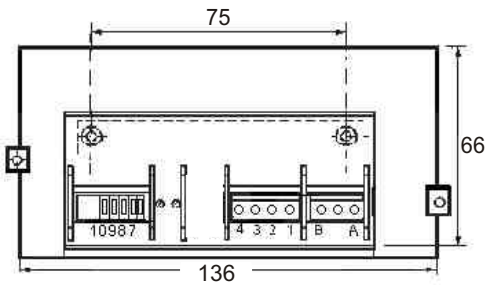
Design & Installation



Installation cut-out



Connections



Decimal Point Adjustment :

Decimal point position is selectable by short links at the rear side.

Short Link Position					
Decimal point position on display	XXXXX	X.XXXX	XX.XXX	XXX.XX	XXXX.X

Order Details :

Type
Measuring Input
Display Full-Scale
Display caption
Aux. Supply

Example 1

RISH DPM 72 X 144 1 PH. 4½ ACI
0 ... 1 A[45-65 Hz]
0 ... 19999
A
24V DC.

Example 2

RISH DPM 72 X 144 1 PH. 4½ ACV
0... 110 V[45-65 Hz]
0... 19999
V
230V AC, 50 Hz



RISHABH
INSTRUMENTS
Measure, Control & Record with a Difference

RISHABH INSTRUMENTS PVT.LTD.
F-31, MIDC, Satpur, Nashik-422 007, India.
Tel.: +91 253 2202028, 2202202 Fax : +91 253 2351064
E-mail : India :- marketing@rishabh.co.in
International :- exp.marketing@rishabh.co.in
www.rishabh.co.in