

**RISH DPM 196**  
**RISH LD DPM 48X96 1PH.**

**Data Sheet**

Digital Panel Meter for  
measurement of AC voltage/current

Size: 96 x 96

Size: 48 x 96 LD



**RISH DPM 196A**  
1PH. current measurement (AC)



**RISH LD DPM 48 x 96 1PH. ACI**  
1PH. current measurement (AC)



**RISH DPM 196V**  
1PH. voltage measurement (AC)



**RISH LD DPM 48 x 96 1PH. ACV**  
1PH. voltage measurement (AC)

## Applications:

The digital panel meter **RISH DPM** has been designed for industrial applications, where precise and on-site adjustment of the display range is frequently required.

It can be used in industrial automation, laboratory uses and all kind of electrical panels for accurate measurement of current and voltages.

## Features:

- Available in size 96mm x 96mm and 96mm x 48mm.
- Accuracy - 0.5%.
- Available with standard current and voltage ranges.
- On site programmable CT/PT ratio.
- 3 ½ digit ultra bright display.
- User defined caption
- Auxillary power supply :  
AC – 230V (+10% / -15%).  
110V (+10% / -15%).  
DC – 24V (21... 30V)  
110V (only for Rish LD DPM 48 x 96)

Highly adaptable DPMs suitable for a wide range of measuring applications.

The chosen input range is user adjustable, from 5% to 100% of the full-scale value, for simple adaptation of the digital readout corresponding to the input value.

## Specifications:

### Display:

Display range	1999
Decimal point position	Selectable by short links at the front side of Display.
Negative display indication	"_"
Digit height	14 mm / 7- segment digits. (Optional : 20 mm)
Overload indication	"1", Last 3 digits blank if display >1999.

### Measuring ranges :

<b>Model</b>	<b>196A / 396A / 48X96 1PH. ACI</b>
<b>System</b>	<b>1PH.</b>
Current ranges available (Voltage drop < 600 mV )	0...1A [45...65 Hz] or 0...1A [400 Hz] or 0...5A [45...65 Hz] or 0...5A [400 Hz]
<b>Model</b>	<b>196V / 48X96 1PH. ACV</b>
Voltage ranges available (Input current < 600 µA)	0...110 V [45 ... 65 Hz] or 0...110 V [400 Hz] or 0...240 V [45 ... 65 Hz] or 0...240 V [400 Hz] or 0...500 V L_L [45...65 Hz] or 0...500 V L_L [400 Hz].

Maximum continuous input 120% of rated value

### Overload withstand :

:Voltage	2 x rated value for 0.5 sec. max.
Current	10 x rated value for 0.5 sec. max.

## Accuracy :

Measuring accuracy : Current	< 0.5% + 1 digit.
Voltage	< 0.5% + 1 digit.

### Model : 196 A / V

Temperature coefficient	300 ppm / °C, plus.
Zero point drift	200 ppm / °C.

### Model : 48x96 1PH. ACI / ACV

Temperature coefficient	100 ppm / °C, plus.
Zero point drift	200 ppm / °C.
Range adjustment span	from 5% to 100% of range.

## Power supply :

### Model : 196 A / V

Direct voltage DC	24V DC (21...30V) isolated.
Burden	£ 5.5W.
Alternating voltage AC	110V AC (+10% / -15%) isolated. 230V (+ 10% / -15%) isolated.
Burden	£ 5.5VA
Frequency	47...60 Hz.

### Model : 48x96 1PH. ACI / ACV

Direct voltage DC	24V DC (21...30V) isolated.
Burden	£ 5.5W.
Universal	1) 45 - 450 V AC/DC (± 5%) 2) 45 - 300 V AC/DC (± 5%)
Burden	£ 5.5 VA/W.

## Ambient conditions

Operating temperature	0 ... 55 °C.
Storage temperature	- 25 ... 70 °C.

## Sundry

Connections	Plug-in screw terminal blocks.
-------------	--------------------------------

## Dimensions and Weight

### Model : 196 A / V

Bezel size	96 mm x 96 mm DIN 43700
Panel cut-out	92 + 0.8 mm x 92 + 0.8 mm
Overall depth	55 mm.
Weight	500 gm. Approx.

### Model : 48x96 1PH., ACI / ACV

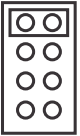
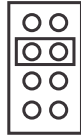


Bezel size	96 mm x 48 mm DIN 43718
Panel cut-out	92 + 0.8 mm x 43.5 + 0.6 mm
Overall depth	68 mm.
Weight	300 gm. Approx.

## Applicable Regulations and Standards

Protection Class	IP 20 to IEC EN 60 529
Front	IP 50
Device safety	IEC EN 61 010
EMC immunity	IEC/ EN 61 000-4-1 to 4
EMC radiated interference	IEC/ EN 61326 Class B

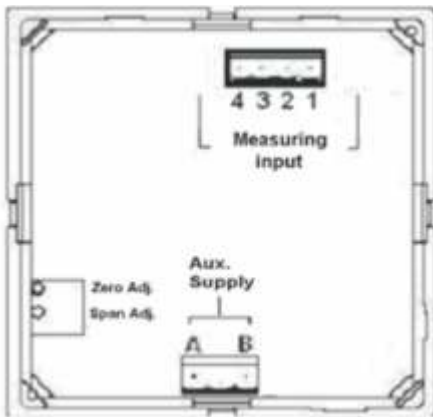
## Decimal point adjustment:

Decimal point position is selectable by short links at the front side of display

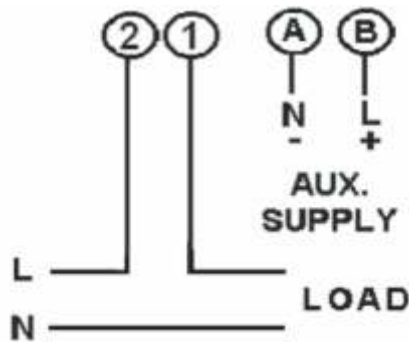
Short link position				
Decimal point position on display	XXXX	X.XXX	XX.XX	XXX.X

## Connection Diagram :

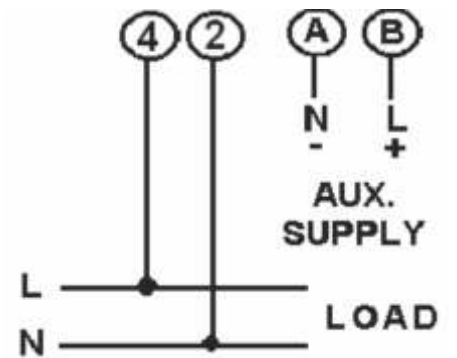
*RISH DPM 196A / V*



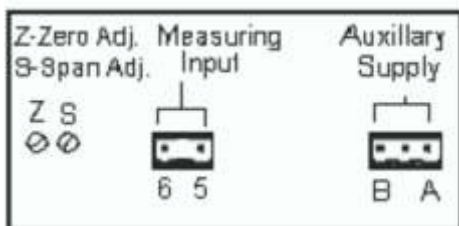
*RISH DPM 196A*



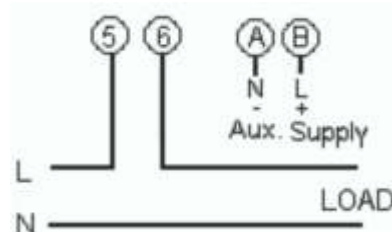
*RISH DPM 196V*



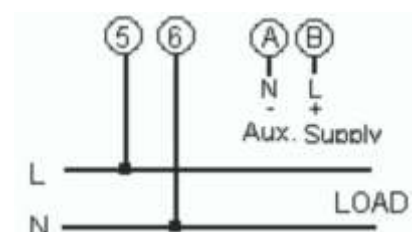
*RISH LD DPM 48x96 1PH.AC1 / ACV*



*RISH LD DPM 48x96 1PH.AC1*



*RISH LD DPM 48x96 1PH.AC1*



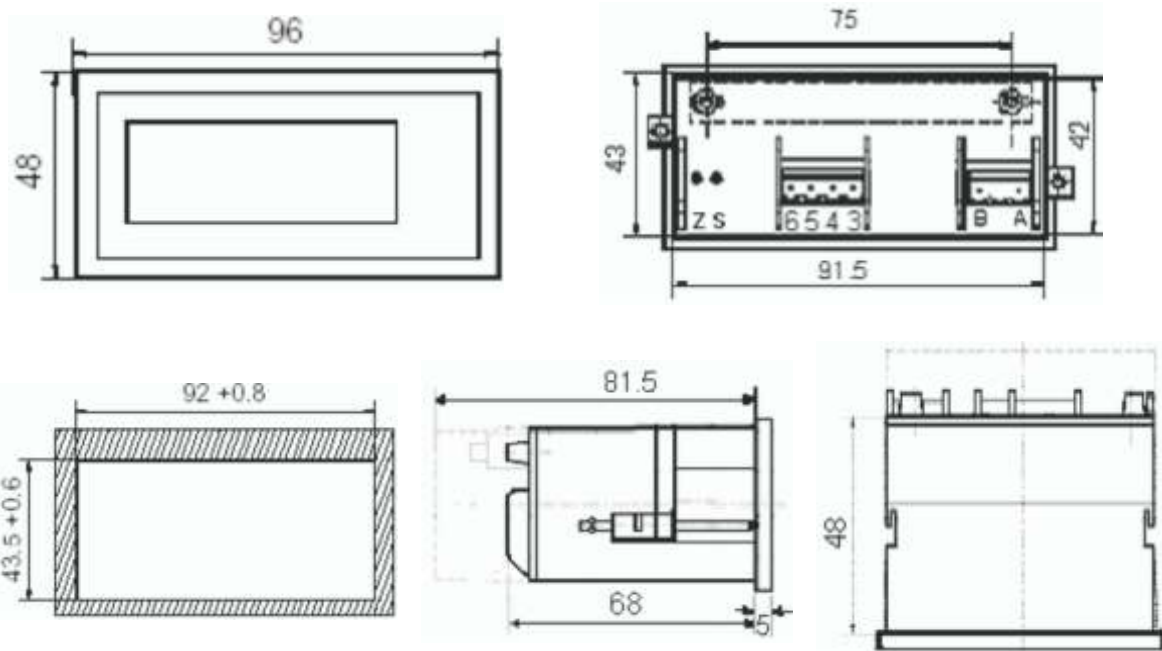
## Dimensions:

Note: All dimensions are in mm

### RISH DPM 196 A / V



### RISH LD DPM 48x96 1PH. ACI / ACV



Panel Cutout

Mounting Position

## Order Details:

### RISH DPM 196 A / V

	Example1	Example2
Type	<b>RISH DPM 196A</b>	<b>RISH DPM 196V</b>
Measuring Input	0...1 A	0...500 V L-L
Input Frequency	50Hz	50 Hz
Display Full-Scale	0...1000	0...500
Display caption	A	V
Aux. Supply	230V AC, 50 Hz.	110V AC, 50 Hz

### RISH LD DPM 48x96 1PH. ACI / ACV

	Example1	Example2
Type	<b>RISHLD DPM 48x96 1PH. ACI</b>	<b>RISHLD DPM 48x96 1PH.AC V</b>
Measuring Input	0...1 A	0...500 V L-L
Input Frequency	50Hz	50 Hz
Display Full-Scale	0...1000	0...500
Display caption	A	V
Aux. Supply	45 - 450 V AC/DC	45 - 300 V AC/DC



**RISHABH  
INSTRUMENTS**  
Measure, Control & Record with a Difference

RISHABH INSTRUMENTS PVT.LTD.  
F-31, MIDC, Satpur, Nashik-422 007, India.  
Tel.: +91 253 2202028, 2202202 Fax : +91 253 2351064  
E-mail : India :- marketing@rishabh.co.in  
International :- exp.marketing@rishabh.co.in  
www.rishabh.co.in