

PROGRAMMABLE *RISH Eine* V / A

Application:

The digital panel meters *RISH Eine* DPM have been designed for industrial applications, which frequently require precise and on-site adjustment of the display range. It can be used in industrial automation and for laboratory uses.

RISH Eine DPM measures important electrical parameters in 3 phase 4 Wire, 3 phase 3 Wire and single phase Network & replaces the multiple analog panel meters.

Salient Features:

Fast & Easy Installation on panel with the help of external swivel screws.

True RMS measurement.

4 Digits ultra bright LED Display.

User selectable CT/PT Primary.

User selectable 3ph3wire or 3ph4wire Network(for 3A/3V).

Three auxiliary Power Supply available 40V – 300V AC DC, 80 - 300V AC, 20-60V DC / 20-40V AC.

Available in two sizes - 96x96 and 48x96.

Products Features:

True RMS measurement

The instrument measures distorted waveform up to 15th Harmonic.

User selectable CT Primary

The Primary of current transformer can be programmed on site from 1A to 999kA for Current DPM using front panel keys.

User selectable PT Primary

The Primary of Potential transformer can be programmed from on site 100 VLL to 999 kVLL for Voltage DPM (3V) and 60 VLN to 999 kVLN for Voltage DPM (V) using front panel keys.

4 digits LED display:

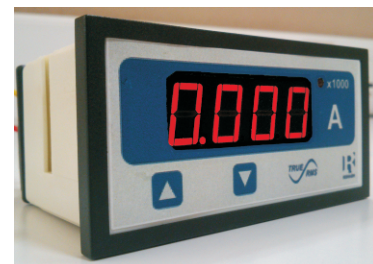
14mm ultra bright 4 digits LED display.

User selectable 3 phase 3Wire or 4Wire Network(for 3A/3V)

User can program on site the network connection as either 3 Phase 3 Wire or 4 Wire network using front panel keys.

Onsite selection of Auto scroll / Fixed Screen(for 3A/3V)

User can set the display in auto scrolling mode or fixed screen mode using front panel keys.



RISHABH
INSTRUMENTS
Measure, Control & Record with a Difference

RISHABH INSTRUMENTS PVT.LTD.

F-31, MIDC, Satpur, Nashik-422 007, India.

Tel.: +91 253 2202160, 2202202 Fax : +91 253 2351064

E-mail : India :- marketing@rishabh.co.in

International :- exp.marketing@rishabh.co.in

www.rishabh.co.in

PROGRAMMABLE RISH Eine V / A

Function keys:

Using two function keys it is possible to Display various parameters in Current and Voltage DPM. These function keys are also used for Network selection, CT/PT Primary values, Auto Scroll mode selection.

Screen No. storage

In case of power failure, the instrument memorizes the last screen stored. For every 1 min. the instrument stores the screen no. in the non-volatile memory.

Low back depth

The instrument has very low back depth (behind the panel) of less than 40mm.

Enclosure Protection for dust and water:

Conforms to IP 50 (for front face) & IP 20 (for back) & as per IEC60529.

EMC Compatibility

Compliance to International standard IEC 61326.

Interference Emission	: IEC 61326-1 : 2005, Class A
Interference Immunity	: IEC 61326-1 : 2005
Electrostatic discharge	: IEC 61000-4-2 -- 4kV/8kV contact/air. (ESD)
EM Field	: IEC 61000-4-3 -- 10 V/m (80 MHz to 1 GHz) -- 3 V/m (1.4 GHz to 2 GHz) -- 1 V/m (2 GHz to 2.7 GHz)
Burst	: IEC 61000-4-4 -- 2 kV (5/50 ns, 5 kHz)
Surge	: IEC 61000-4-5 -- 1 kVLL / 2 kVLN.
Conducted RF	: IEC 61000-4-5 -- 3 V (150 kHz to 80 MHz)
Rated Power Frequency magnetic Field	: IEC 61000-4-8 -- 30 A/m
Voltage dip	: IEC 61000-4-11 -- 0% during 1 cycle. -- 40% during 10/12 cycles. -- 70% during 25/30 cycles.
Short interruptions	: IEC 61000-4-11 -- 0% during 25/30 cycles. 25 cycles for 50 Hz test. 30 cycles for 60 Hz test.

Technical Specifications:

Input Voltage:

Nominal input voltage Ranges (AC RMS)
(to be specified while ordering)

Phase –Neutral	57 - 70V L-N ,	Line-Line	100-120V L-L
	71 - 139V L-N		121-240V L-L
	140 - 277V L-N		241-480V L-L

Max continuous input voltage
Nominal input voltage burden
System PT primary values

120% of rated value
< 0.3 VA approx. per phase.
100VLL to 999kVLL programmable on site for 3 - Phase Voltage (3V).
60VLN to 999kVLN programmable on site for 1 - Phase Voltage (V)..

Input Current:

Nominal input current Ranges
System CT primary values
Max continuous input current
Nominal input current burden

1A or 5A AC RMS (to be specified while ordering)
From 1A up to 999kA (for 1 or 5 Amp)
120% of rated value (optional 150% of rated value)
< 0.3 VA approx. per phase

Overload Indication:

“-oL-”
(If input is greater than 125% of secondary value for Voltage and 125% (optional 155%) of secondary value for current)

Auxiliary Supply:

AC DC Auxiliary Supply

40-300V AC-DC ($\pm 5\%$)
20-40V AC / 20-60V DC

AC Auxiliary Supply
Frequency range
VA burden

80 - 300V AC
45 to 65 Hz
4 VA Approx at 240V_{LN}, 50Hz
1 VA Approx at 24V AC/DC

Overload Withstand:

Voltage
Current

2x rated value for 1 second, repeated 10 times at 10 second intervals
4x rated value for 1 second, repeated 5 times at 5 min intervals



RISHABH
INSTRUMENTS

Measure, Control & Record with a Difference

RISHABH INSTRUMENTS PVT.LTD.

F-31, MIDC, Satpur, Nashik-422 007, India.

Tel.: +91 253 2202160, 2202202 Fax : +91 253 2351064

E-mail : India :- marketing@rishabh.co.in

International :- exp.marketing@rishabh.co.in

www.rishabh.co.in

PROGRAMMABLE RISH Eine V / A

Technical Specifications:

Operating Measuring Ranges:

Voltage Range	10 ... 120% of rated value
Current Range	10 ... 120% of rated value (optional upto 150%)
Frequency	45...65 Hz

Reference conditions for Accuracy:

Reference temperature	23°C +/- 2°C
Input waveform	Sinusoidal (distortion factor 0.005)
Auxiliary supply voltage	Rated Value $\pm 1\%$
Auxiliary supply frequency	Rated Value $\pm 1\%$
Voltage Range	20...100% of Nominal Value
Current Range	10...100% of Nominal Value
Input Frequency	50 Hz / 60 Hz

Accuracy:

Voltage	$\pm 1.0\%$ of Nominal value (Optional $\pm 0.5\%$ Available)
Current	$\pm 1.0\%$ of Nominal value (Optional $\pm 0.5\%$ Available)

Influence of Variations:

Temperature coefficient :	
(for rated value range of use (0...50°C))	0.025%/°C for Voltage 0.05%/°C for Current

Applicable Standards:

EMC	IEC 61326-1: 2005
Safety	IEC 61010-1-2001 , Permanently connected use
IP for water & dust	IEC60529

Safety :

Pollution degree:	2
Installation category:	III
High Voltage Test	2.2 kV AC, 50Hz for 1 minute.

Environmental:

Operating temperature	0 to +50°C
Storage temperature	-25°C to +70°C
Relative humidity	0... 90% non condensing
Warm up time	Minimum 3 minute
Shock	15g in 3 planes
Vibration	10... 55 Hz, 0.15mm amplitude

Enclosure:

Front	IP 50
Back	IP 20.



RISHABH
INSTRUMENTS

Measure, Control & Record with a Difference

RISHABH INSTRUMENTS PVT.LTD.

F-31, MIDC, Satpur, Nashik-422 007, India.

Tel.: +91 253 2202160, 2202202 Fax : +91 253 2351064

E-mail : India :- marketing@rishabh.co.in

International :- exp.marketing@rishabh.co.in

www.rishabh.co.in

PROGRAMMABLE RISH Eine V / A

Dimensions and Weights:

a) 96x96 DPM

Bezel size (DIN 43 718)	96 mm x 96 mm.
Panel cut-out	92 +0.8 mm x 92 + 0.8 mm.
Overall depth	40 mm.
Weight	310 gm. Approx.

b) 48x96 DPM

Bezel size (DIN 43 718)	48 mm x 96 mm.
Panel cut-out	43.5 + 0.6 mm x 92 + 0.8 mm.
Overall depth	68 mm.
Weight	250 gm. Approx.

Various Input Voltage Ranges:

Input Voltage (3V)
110 V L-L
230 V L-L
415 V L-L

Input Voltage (V)
64 V L-N
110 V L-N
240 V L-N
600 V L-N

Various Input Current Ranges:

Input Current
1A
5A

Parameters measured and displayed:

A) Rish Eine 3V

Network type	Displayed Parameter
1) 3 Phase 4 wire	a. Phase –Neutral Voltage VL1 b. Phase –Neutral Voltage VL2 c. Phase –Neutral Voltage VL3 d. Line-Line Voltage VL1L2 e. Line-Line Voltage VL2L3 f. Line-Line Voltage VL3L1 g. System Voltage
2) 3 Phase 3 wire	a. Line-Line Voltage VL1L2 b. Line-Line Voltage VL2L3 c. Line-Line Voltage VL3L1 d. System Voltage

B) Rish Eine 3A

Network type	Displayed Parameter
1) 3 Phase 4 wire and 3 Phase 3 Wire	a. Phase Current IL1 b. Phase Current IL2 c. Phase Current IL3 d. System Current

C) Rish Eine V

Network type	Displayed Parameter
1 Phase 2 wire	Phase –Neutral Voltage VL

D) Rish Eine A

Network type	Displayed Parameter
1 Phase 2 wire	Phase Current IL



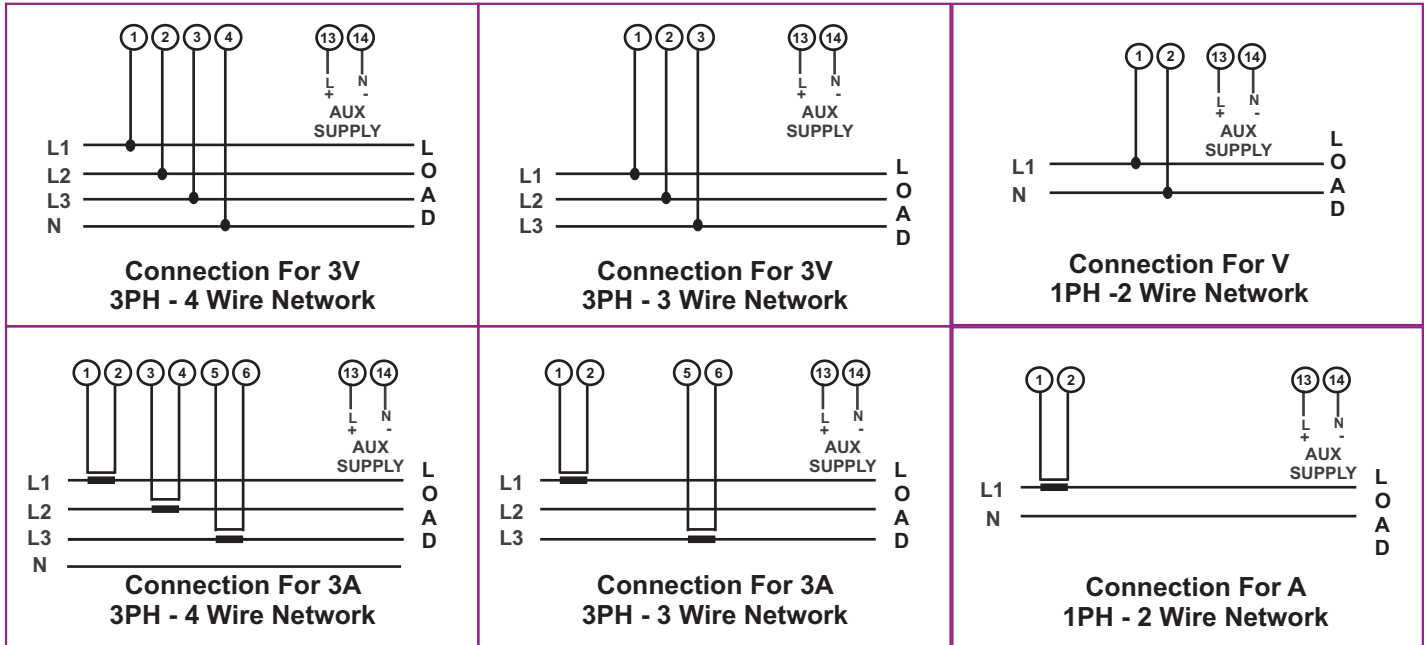
RISHABH
INSTRUMENTS
Measure, Control & Record with a Difference

RISHABH INSTRUMENTS PVT.LTD.
F-31, MIDC, Satpur, Nashik-422 007, India.
Tel.: +91 253 2202160, 2202202 Fax : +91 253 2351064
E-mail : India :- marketing@rishabh.co.in
International :- exp.marketing@rishabh.co.in
www.rishabh.co.in

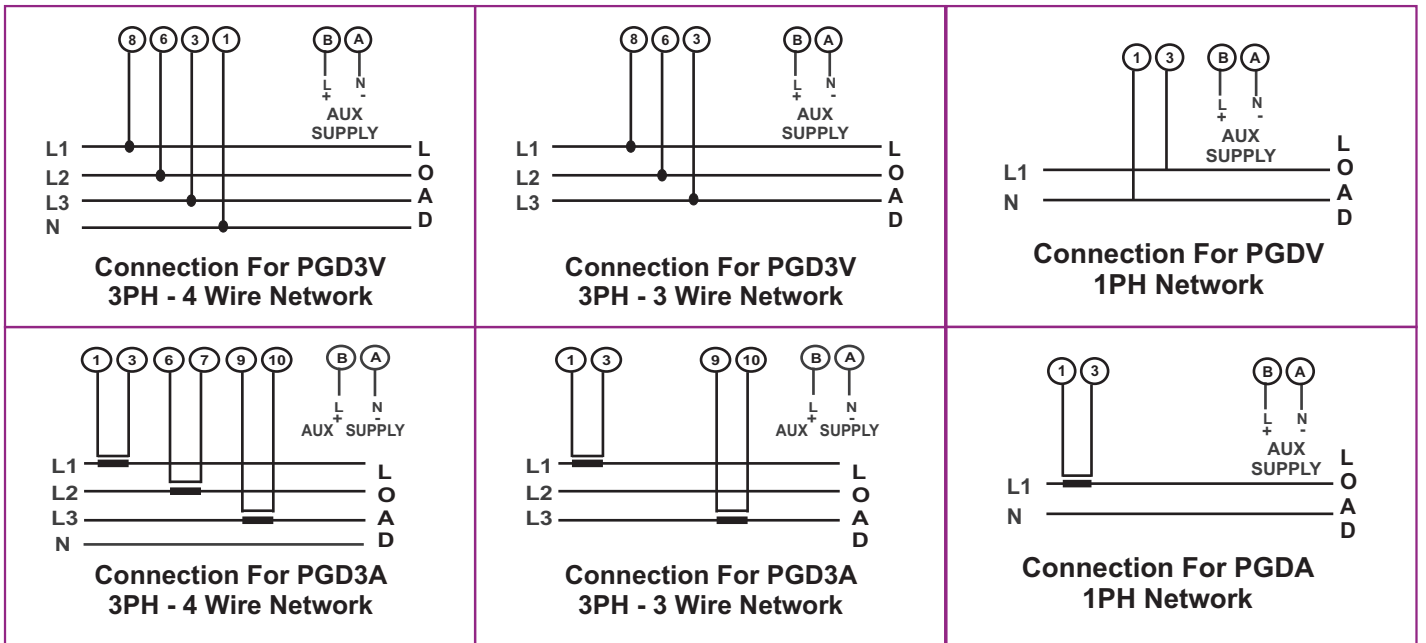
PROGRAMMABLE RISH Eine V/A

Connection Diagram:

A) For 96x96 DPM



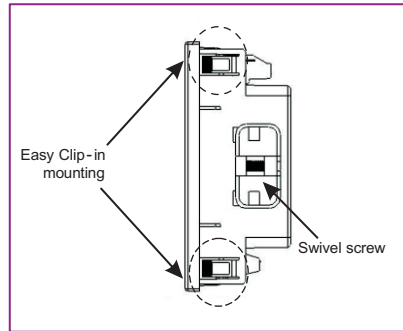
B) For 48x96 DPM



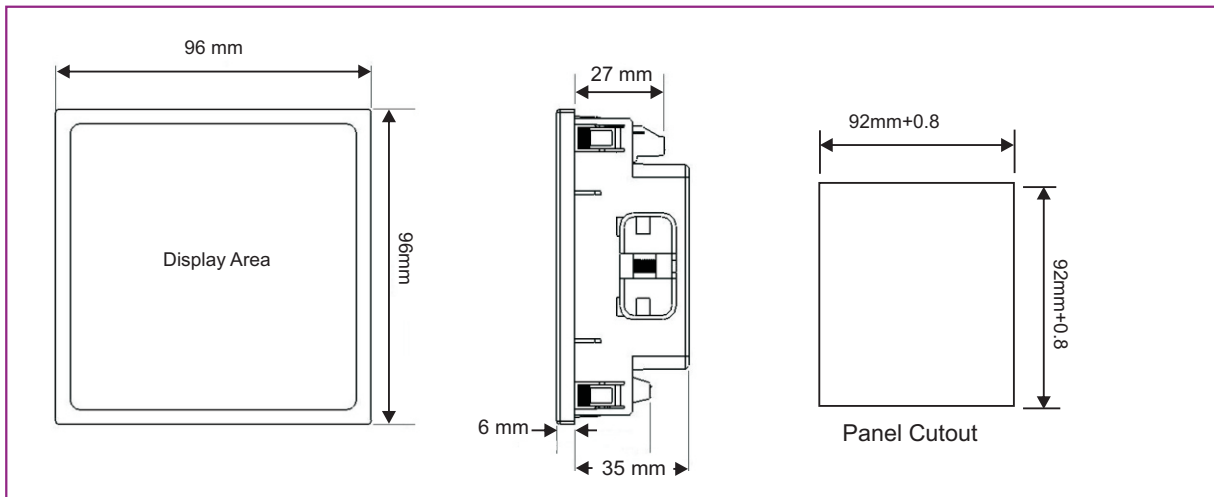
PROGRAMMABLE RISH Eine V / A

Installation:

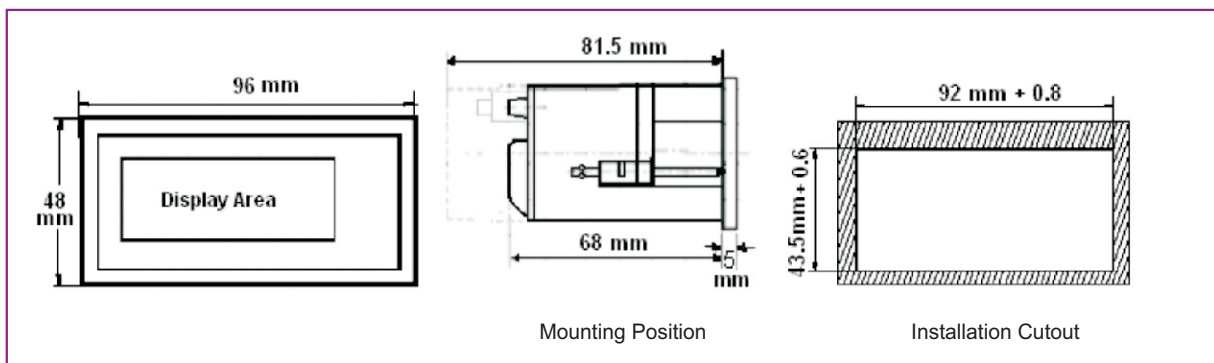
Easy Clip in Installation on Panel for 96x96 DPM:



A) For 96x96 DPM



A) For 48x96 DPM



PROGRAMMABLE RISH Eine V/A

Rish Eine Voltage DPM:

A) 3 - Phase Voltage (3V)

Ordering information	Ordering Code
System Type	
3 Phase (Programmable as 4 wire or 3 wire on site)	3V
Accuracy Class	1.0
	0.5
Input Voltage	3 Phase
110V L-L	110
230V L-L	230
415V L-L	415
Auxiliary Voltage	
40-300 V AC-DC(±5%)	AD
20-60V DC/20-40V AC	D
80-300V AC	L
Size	
48x96 Low Depth DPM	48
96x96 DPM	96

Order Code Example:

For 3 Phase Voltage DPM:

RISH Eine Voltage 3V-1.0-110-AD-48

i.e Rish Eine Voltage DPM, 3 Phase, Accuracy class ±1.0%, 110 VLL input voltage, 40-300 V AC-DC Auxiliary Supply, 48x96 Low Depth DPM.

For 1 Phase Voltage DPM:

RISH Eine Voltage V-0.5-240-L-96

i.e Rish Eine Voltage DPM, Single Phase, Accuracy class ±0.5%, 240 VLN input voltage, 80-300 V AC Auxiliary Supply, 96x96 DPM.

B) Single - Phase Voltage (V)

Ordering information	Ordering Code
System Type	
1 Phase	V
Accuracy Class	1.0
	0.5
Input Voltage	Single Phase
64 V L-N	64
110V L-N	110
240V L-N	240
600V L-N	600
Auxiliary Voltage	
40-300 V AC-DC(±5%)	AD
20-60V DC/20-40V AC	D
80-300V AC	L
Size	
48x96 Low Depth DPM	48
96x96 DPM	96

Rish Eine Current DPM:

Ordering information	Ordering Code
System Type	
3 Phase (Programmable as 4 wire or 3 wire on site)	3A
1 Phase	A
Accuracy Class	1.0
	0.5
Input Current	
1A	1
5A	5
Auxiliary Voltage	
40-300 V AC-DC(±5%)	AD
20-60V DC / 20-40V AC	D
80-300V AC	L
Size	
48x96 Low Depth DPM	48

For Current DPM:

RISH Eine Current 3A-1.0-1-L-48

i.e Rish Eine Current DPM, 3 Phase, Accuracy class ±1.0%, 1 Ampere input current, 80-300 V AC Auxiliary Supply, 48x96 Low Depth DPM.



RISHABH
INSTRUMENTS
Measure, Control & Record with a Difference

RISHABH INSTRUMENTS PVT.LTD.

F-31, MIDC, Satpur, Nashik-422 007, India.

Tel.: +91 253 2202160, 2202202 Fax : +91 253 2351064

E-mail : India :- marketing@rishabh.co.in

International :- exp.marketing@rishabh.co.in

www.rishabh.co.in